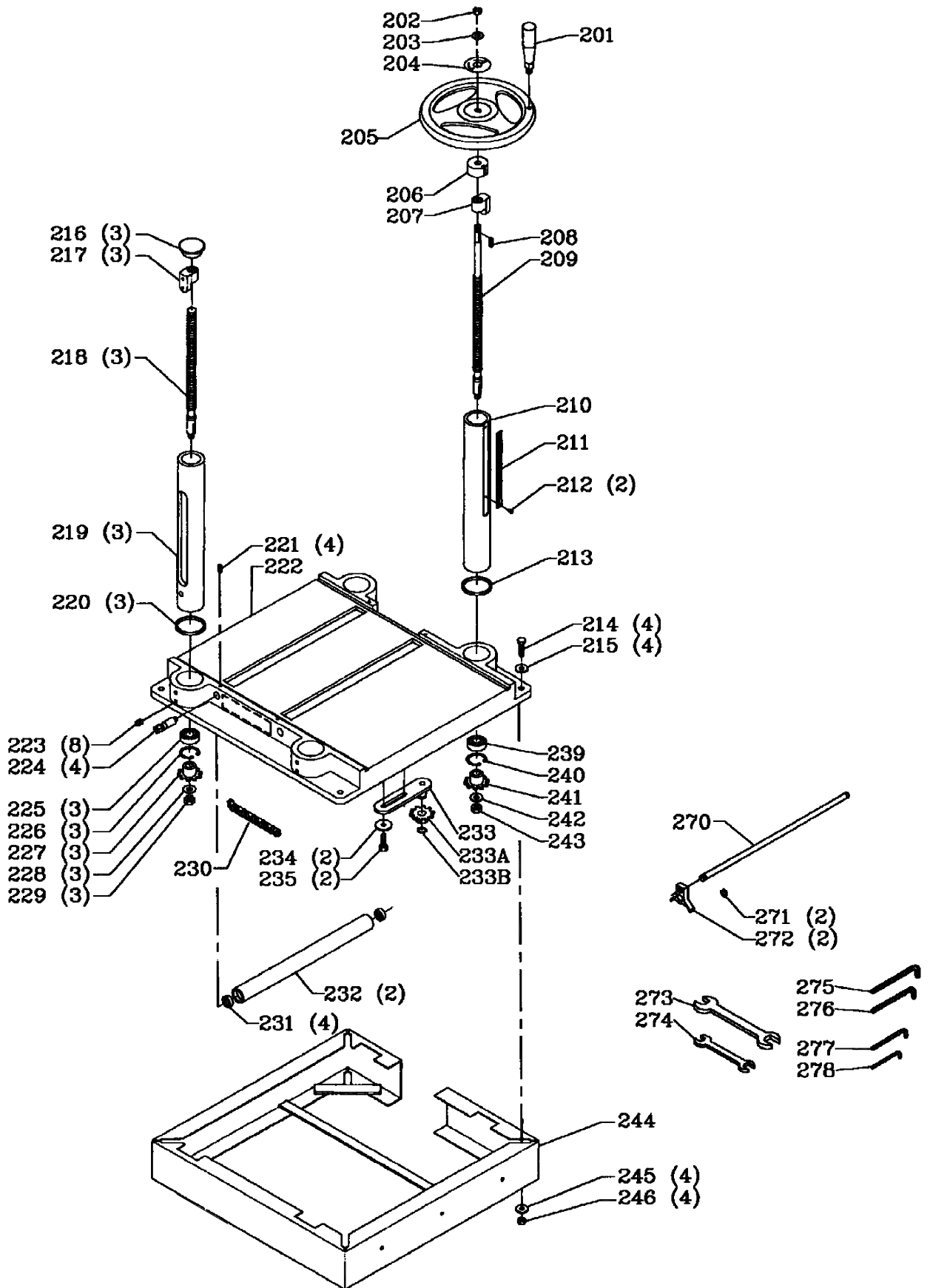


REPLACEMENT PARTS

<u>Ref.</u>	<u>No.</u>	<u>Part No.</u>	<u>Description</u>	<u>Ref.</u>	<u>No.</u>	<u>Part No.</u>	<u>Description</u>
	1	1346723	(DIN 90HFB) M6 X 16MM HEX FLANGE SCREW	66	1349349		PLATE
	1A	1349438	WARNING LABEL	67	1330410		(DIN 1481) M5 X 20MM SPRING PIN
	1B	1349443	WARNING LABEL	68	1349339		OUTFEED ROLLER
	2	1330682	CLAMP	69	1349337		KEY
	3	1349385	SEAL	70	1349336		ROLLER BUSHING
	4	1349371	UPPER COVER	71	1330660		SPRING
	5	1246084	(DIN 916) M6 X 18MM HEX SOC SET SCREW	72	1349335		FEED SPROCKET
	6	1243456	(DIN 934) M6 HEX NUT	73	1246014		(DIN 933) M6 X 15MM HEX HD SCREW
	7	1349370	CHIP BREAKER	74	1246140		(DIN 125) M6.4 FLAT WASHER
	8	1349387	KEY	80	1246028		EXT RET RING
	9	1349363	MOTOR ASSY MODEL 22-675 2HP 1PH, INCL:	81	1349345		COLLAR
	9A	1346436	MOTOR ASSY MODEL 22-680 3HP 1PH, INCL:	82	1349346		ANTI-KICKBACK FINGER
	10	1349364	SWITCH BOX	83	1349347		SHAFT
	11	1349365	CLAMP	88	1349336		ROLLER BUSHING
	12	1340406	(DIN 7981B) M4.2 X 10MM PAN HD SCREW	89	1330660		SPRING
	13	1340406	(DIN 7981B) M4.2 X 10MM PAN HD SCREW	90	1330048		(DIN 914) M6 X 20MM HEX SOC SET SCREW
	13A	1349439	FEATURE LABEL	90A	1330200		(DIN 916) M8 X 12MM HEX SOC SET SCREW
	13B	904-03-030-1795	3/16" EXT TOOTH WASHER	91	1342000		(DIN 963) M6 X 8MM FLAT HD SCREW
	14	1340095	1 PH MANUAL SWITCH	92	1349338		LIMITER PLATE
	15	402-07-104-5007	SPACER	93	1342000		(DIN 963) M6 X 8MM FLAT HD SCREW
	15A	902-01-120-9232	#06-32 HEX NUT	94	1349348		INFEED ROLLER
	15B	904-03-030-1788	EXT TOOTH WASHER	95	1349337		KEY
	15C	901-06-143-1327	#06-32 X 5/16" PAN HD SCREW	96	1349336		ROLLER BUSHING
	16	1340100	SWITCH COVER ASSY	97	1330660		SPRING
	17	901-02-010-0567	#06-32 X 1/4" ROUND HD SCREW	98	1349334		HEAD CASTING
	18	1310163	(DIN 85) M5 X 16MM PAN HD SCREW	98C	422-28-079-0015		RIVIT
	19	1320101	(DIN 6797A) M5.3 EXT TOOTH WASHER	98B	428-06-075-0001		POINTER
	20	1343644	BUSHING	98A	1349440		NAMEPLATE
	21	1349359	POWER CORD	99	1349343		CHAIN
	22	1349360	SWITCH PLATE	100	1349344		FEED SPROCKET
	22A	901-06-121-7383	#10-24 X 3/8" PAN HD SCREW	101	1246140		(DIN 125) M6.4 FLAT WASHER
	22B	904-03-030-1795	3/16" EXT TOOTH WASHER	102	1246014		(DIN 933) M6 X 15MM HEX HD SCREW
	22C	902-01-120-1216	#10-24 HEX NUT	103	1330508		BUSHING
	23A	1349342	CAPACITOR 500UF	104	1349341		HANDLE
	23B	1340108	CAPACITOR (16UF, MODEL 22-675, 2HP 1PH)	105	1349340		SHAFT
	23C	1346437	CAPACITOR (20UF, MODEL 22-680, 3HP 1PH)	110	1349379		HANGER
	24	1313192	(DIN 7513B) M5 X 20MM CHEESE HD SCREW	111	1243379		(DIN 912) M6 X 10MM HEX SOC HD SCR NOTE
	25	1340637	(DIN 9021) M8.4 FLAT WASHER	112	1349378		SPRING
	26	1243398	(DIN 934) M8 HEX NUT	114	1349376		IDLER PULLEY ASSY
	28	1349877	(DIN 90HFB) M6 X 12MM HEX FLANGE SCREW	116	1349374		PIVOT
	29	1349369	DEFLECTOR PLATE	117	1349381		COLLAR
	30A	1349362	MOTOR BRACKET (EMO)	118	22-677		KNIVES (SET OF THREE)
	30	1349375	MOTOR BRACKET (CMO)	119	1349383		KNIFE LOCKING BAR
	31	1340637	(DIN 9021) M8.4 FLAT WASHER	120	1330143		SCREW
	32	1246192	(DIN 933) M8 X 45MM HEX HD SCREW	121	920-04-022-4020		BALL BEARING
	37	1330508	BUSHING	122	1349382		CUTTERHEAD
	38	1349358	KNOB	123	1246158		(DIN 916) M5 X 16MM HEX SOC SET SCREW
	39A	1349353	PULLEY GUARD (EMO)	123A	1349389		ADJUSTING NUT
	39	1349377	PULLEY GUARD (CMO)	124A	1243336		(DIN 912) M6 X 20MM HEX SOC HD SCREW
	40	1349354	MOTOR PULLEY	124	1349417		PINION
	41	1340637	(DIN 9021) M8.4 FLAT WASHER	124B	1320106		BALL BEARING
	42	1246034	(DIN 933) M8 X 20MM HEX HD SCREW	125	1349373		PLATE
	43	1349355	V-BELT (SET OF 3)	126	1349380		COVER
	44	1349356	SPACER	127	1349916		(DIN 912) M8 X 45MM HEX SOC HD SCREW
	45	1349357	PULLEY COVER	127A	1349437		GEARBOX LABEL
	46	1349877	(DIN 90HFB) M6 X 12MM HEX FLANGE SCREW	128	1346457		(DIN 1481) M6 X 20MM SPRING PIN
	47	1246020	(DIN 933) M10 X 80MM HEX HD SCREW	129	1349373		PLATE
	48	1246016	(DIN 933) M8 X 25MM HEX HD SCREW	130	1349877		(DIN 90HFB) M6 X 12MM HEX FLANGE SCREW
	49	1340637	(DIN 9021) M8.4 FLAT WASHER	131	1349351		BUSHING
	50	1349352	CUTTERHEAD PULLEY	132	1349350		LOCK BOLT
	51	1246035	(DIN 933) M10 X 30MM HEX HD SCREW	133	428-07-079-0002		KEY
	52	1246116	(DIN 9021) M10.5 FLAT WASHER	134	1246084		(DIN 916) M6 X 18MM HEX SOC SET SCREW
	53	1349351	BUSHING	135	1246006		(DIN 912) M8 X 50MM HEX SOC HD SCREW
	54	1349350	LOCK BOLT	136	1330548		ADJ. SCREW
	55	1349843	MOTOR ASSY (MODEL 22-676, 3HP, 3PH)	137	1349877		(DIN 90HFB) M6 X 12MM HEX FLANGE SCREW
	55A	1346438	MOTOR ASSY (MODEL 22-681, 3HP, 3PH)	138	1349372		SPRING
	56	1349842	BRACKET 3PH ONLY				
	56A	1243501	(DIN 84) M4 X 10MM CHEESE HD SCREW (3PH)				
	57	436-10-112-0002	(DIN 933) M6 X 16MM HEX HD SCREW 3PHON				
	58	1243520	(DIN 7980) M6.1 LOCK WASHER 3PH ONLY	180	22-678		DUST HOOD, INCL;
	59A	1349841	MTR STR 3PH 200/220V	181	1347020		M11.5 FLAT WASHER
	59B	1348662	MTR STARTER 3PH 440V	182	1246035		(DIN 933) M10 X 30MM HEX HD SCREW
	59*	1340109	CONNECTOR (QTY 2)				
	59*	1340110	MOTOR CORD	**			NOT SHOWN
	60	1330660	SPRING				EMO=EARLY MODELS ONLY
	61	1349336	ROLLER BUSHING				CMO=CURRENT MODELS ONLY
	62	1243395	(DIN 934) M5 HEX NUT				
	63	1246166	(DIN 914) M5 X 12MM HEX SOC SET SCREW				
	64	1347065	(DIN 1481) M4 X 16MM SPRING PIN				
	65	1310105	(DIN 933) M8 X 16MM HEX HD SCREW				

ACCESSORIES: (Optional)

NOTE: USE THREAD SEALANT WHEN REINSTALLING ITEM 111 FOR SERVICE.

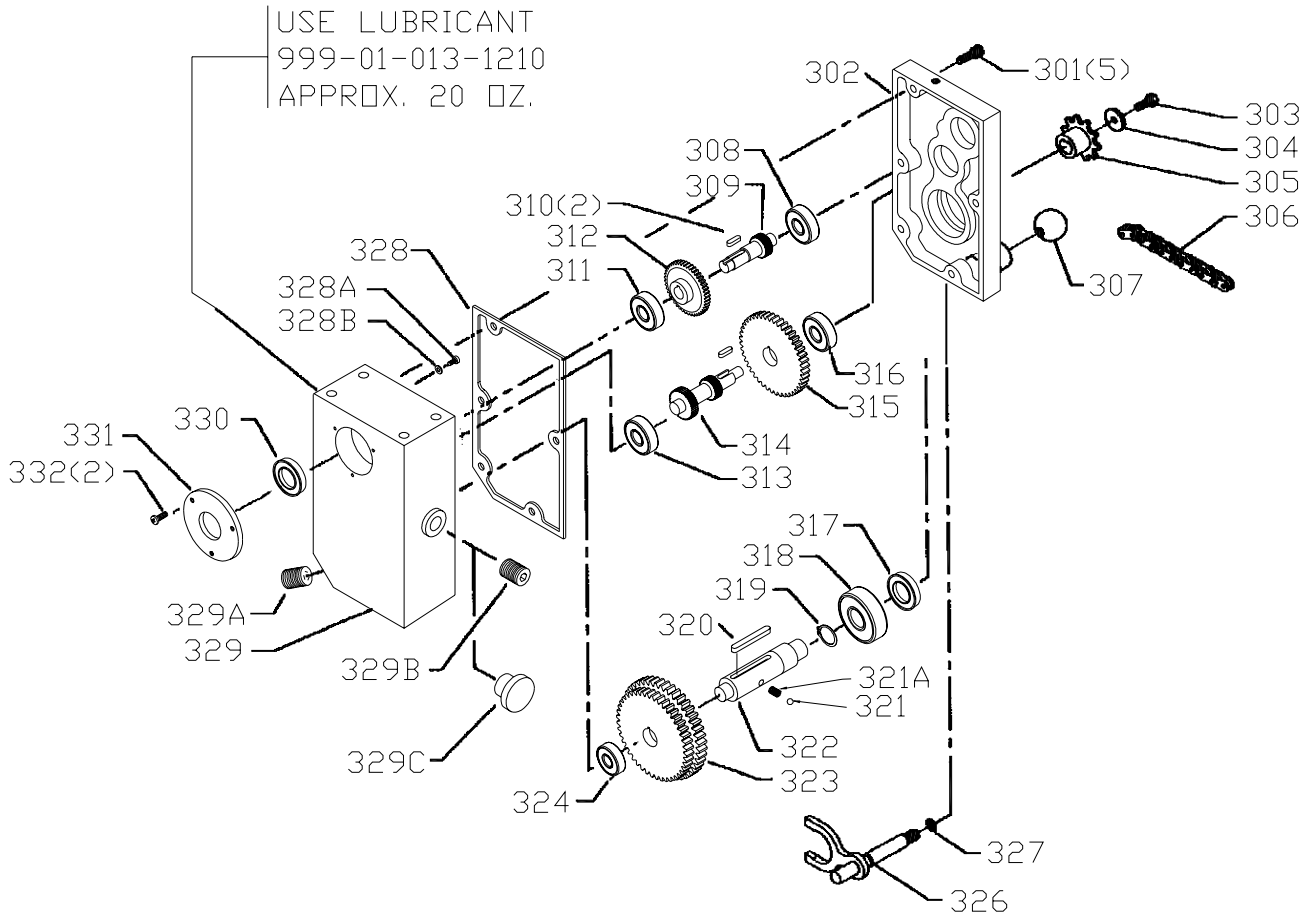


REPLACEMENT PARTS

Ref.	<u>No.</u>	<u>Part No.</u>	<u>Description</u>
	201	1349400	HANDLE
	202	1243496	(DIN 934) M10 HEX NUT
	203	1243502	(DIN 125) M10 FLAT WASHER
	204	1349399	DIRECTIONAL PLATE
	205	1349398	HANDWHEEL
	206	1349396	BUSHING
	207	1330504	NUT
	208	1349397	KEY
	209	1349394	ELEVATING SCREW
	210	1349392	COLUMN
	211	1330542	SCALE
	212	1246000	(DIN 84) M3 X 6MM CHEESE HD SCREW
	213	1349393	COLUMN SPACER
	214	1246017	(DIN 933) M8 X 30MM HEX HD SCREW
	215	1340637	(DIN 9021) M8.4 FLAT WASHER
	216	428-06-020-0001	COLUMN CAP
	217	1330504	NUT
	218	1349395	ELEVATING SCREW
	219	1349391	COLUMN
	220	1349393	COLUMN SPACER
	221	1246038	(DIN 914) M6 X 16MM HEX SOC SET SCREW
	222	1349390	TABLE
	223	1311003	(DIN 913) M10 X 12MM HEX SOC SET SCREW
	224	1349402	ECCENTRIC STUD
	225	920-04-012-4029	BALL BEARING
	226	1243505	INT RET RING
	227	1349403	SPROCKET
	228	1243502	(DIN 125) M10 FLAT WASHER
	229	1243496	(DIN 934) M10 HEX NUT
	230	1349175	CHAIN
	231	1346630	BALL BEARING
	232	1349401	BED ROLLER
	233	1349404	SUPPORT ASSY, INCL;
	233A	1349406	IDLER
	233B	1246196	EXT RET RING
	234	1345971	M8 FLAT WASHER
	235	1246034	(DIN 933) M8 X 20MM HEX HD SCREW
	239	920-04-012-4029	BALL BEARING
	240	1243505	INT RET RING
	241	1349403	SPROCKET
	242	1243502	(DIN 125) M10 FLAT WASHER
	243	1243496	(DIN 934) M10 HEX NUT
	244	1349407	BASE
	245	1340637	(DIN 9021) M8.4 FLAT WASHER
	246	1243398	(DIN 934) M8 HEX NUT
	269	1349408	KNIFE GAGE ASSY, CONST OF;
	270	1349388	BAR
	271	1246058	EXT RET RING
	272	1349409	KNIFE GAGE BLOCK
	273	1349411	WRENCH 14MM X 17MM
	274	1349410	WRENCH 10MM X 12MM
	275	428-07-101-0002	6MM HEX WRENCH
	276	432-07-101-0004	5MM HEX WRENCH
	277	428-06-101-0002	3MM HEX WRENCH
	278	428-06-101-0003	2.5MM HEX WRENCH

* NOT SHOWN ASSEMBLED

REPLACEMENT PARTS



Ref. No.	Part No.	Description	Ref. No.	Part No.	Description
301	1243336	(DIN 912) M6 X 20MM HEX SOC HD SCREW	320	1349430	KEY
302	1349413	COVER	321	1349428	BALL
303	1310105	(DIN 933) M8 X 16MM HEX HD SCREW	321A	1349429	SPRING
304	1344332	M8.8 FLAT WASHER	322	1349420	SHAFT
305	1349432	SPROCKET	323	1349421	GEAR
306	1349434	CHAIN	324	400-08-139-0008	BALL BEARING
307	1349433	KNOB	326	1349422	HANDLE ROD ASSY
308	400-08-139-0008	BALL BEARING	327	1349425	O-RING
309	1349416	PINION	328	1349414	GASKET
310	1349431	KEY	328A	1341046	(DIN 84) M6 X 8MM CHEESE HD SCREW
311	1349415	GEAR	328B	1340622	M6.4 FLAT WASHER
312	400-08-139-0008	BALL BEARING	329	1349412	GEAR BOX HOUSING
313	400-08-139-0008	BALL BEARING	329A	422-29-074-0001	PLUG
314	1349418	PINION	329B	422-29-074-0001	PLUG, (CMO)
315	1349419	GEAR	329C	1349361	OIL LEVEL PLUG, (EMS)
316	400-08-139-0008	BALL BEARING	330	1349427	OIL SEAL
317	1349426	OIL SEAL	331	1349424	OIL SEAL COVER
318	920-04-021-6585	BALL BEARING	332	1310162	(DIN 85) M5 X 12MM PAN HD SCREW
319	1330075	EXT RET RING	**	999-01-013-1210	LUBRICANT (APPROX 20 OZ)
			**		NOT SHOWN

STANDARD SAFETY EQUIPMENT

In order to promote tool safety, Delta Machinery strictly enforces the policy of repairing or replacing any damaged or missing standard safety equipment on machines presented to Delta Authorized Service Centers for service/repairs. Any product that is presented to a Delta Authorized Service Centers for repairs which contains missing or damaged standard safety equipment will have that equipment repaired or replaced and the customer will be charged for any such service/repairs. Customers can avoid such charges only if the missing safety component is supplied to the service center at the time of repair.

This parts list is provided to aid in obtaining service parts. Copies of the instruction and maintenance literature can be obtained through the Delta Technical Publications Department or through your service outlet.