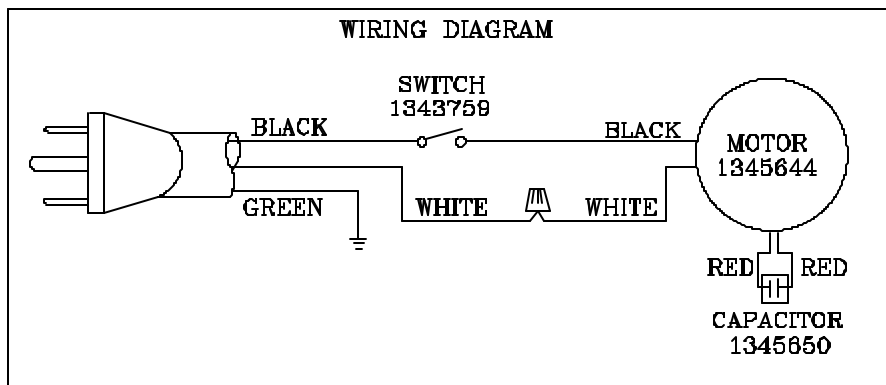


# REPLACEMENT PARTS

Ref. No.	Part No.	Description	Ref. No.	Part No.	Description
1	1345624	LEVER	37	1243394	M5 X 10MM CHEESE HD SCREW
2	1310135	M4 X 8MM FLAT HD SCREW	38	1343538	M5.1 LOCK WASHER
3	1343545	M4.1 FLAT WASHER	39	1246102	M5.3 FLAT WASHER
4	1345625	SPRING	40	1345645	POWER CORD
5	1310155	M5 X 8MM CHEESE HD SCREW	41	1345646	GROMMET
6	1343538	M5.1 LOCK WASHER	42	1345647	PLATE
7	1246102	M5.3 FLAT WASHER	43	1345648	SWITCH PLATE
8	1347657	M5 X 8MM HEX SOC SET SCREW	44	901-06-121-7383	#10-24 X 3/8" PAN HD SCREW
9	1345626	BRACKET	45	1320101	M5.3 EXT TOOTH WASHER
10	1348206	M4 X 30MM SPRING PIN	46	1343759	SWITCH, INCL:
11	1345628	BRAKE	47	400-06-068-0002	SWITCH KEY
12	n 900898	LEVER, T2	48	1348002	KEY
	1345635	LEVER, T1	49	1086894	BALL BEARING
13	1243526	M8.4 FLAT WASHER	50	1345649	COVER
14	n 900963	SCALE, T2	**	1345650	CAPACITOR (200 UF)
	1345634	SCALE, T1	51	1246177	M4 X 6MM CHEESE HD SCREW
15	1310016	5MM DRIVE SCREW	52	1320102	M4.3 EXT TOOTH WASHER
16	1340243	M4 X 10MM HEX SOC HD SCREW	53	1243456	M6 HEX NUT
17	1345633	GLIDE	54	1246140	M6.4 FLAT WASHER
18	n 900897	TRUNNION, T2	55	1246140	M6.4 FLAT WASHER
	1345632	TRUNNION, T1	56	1243456	M6 HEX NUT
19	1345631	SPECIAL SCREW	57	1345637	FOOT
20	1330151	M6 X 35MM HEX HD SCREW	58	1246090	M6 X 30MM CHEESE HD SCREW
21	1243456	M6 HEX NUT	60	n 31-264	DISC
22	1345630	BLOCK	61	1345639	SEAL
23	1330151	M6 X 35MM HEX HD SCREW	62	1345640	SPECIAL WASHER
24	1243456	M6 HEX NUT	63	1345600	M6 X 22MM FLAT HD SCREW
25	1345629	STOP BRACKET	64	1345642	HOSE ASSY
26	1246177	M4 X 6MM CHEESE HD SCREW	65	1345641	DUST CHUTE
27	1345636	POINTER	66	1246140	M6.4 FLAT WASHER
28	1246153	M6 X 25MM HEX HD SCREW	67	1246045	M6 X 10MM CHEESE HD SCREW
29	n 900895	FRAME, INCL., T2	68	n 900896	TABLE, INCL., T2
	1345627	FRAME, INCL., T1		1345643	TABLE, INCL., T1
30	n 900905	WARNING LABEL, T2	69	1346109	NAMEPLATE, T1 ONLY
	1346108	WARNING LABEL, T1	69A	1310016	5MM DRIVE SCREW
30A	1310016	5MM DRIVE SCREW	70	1343451	M6 X 25MM FLAT HD SCREW
31	n 900903	NAMEPLATE, T2	71	422-29-101-0002	4MM HEX WRENCH
	1346109	NAMEPLATE, T1	72	n 1343918	8MM X 10MM OPEN END WRENCH
31A	1310016	5MM DRIVE SCREW	**		NOT SHOWN
32	1346144	ROTATION LABEL			
32A	1310016	5MM DRIVE SCREW			
35	1345644	MOTOR ASSY, INCL:			
36	1345606	M5 X 160MM HEX HD SCREW			



## STANDARD SAFETY EQUIPMENT

In order to promote tool safety, Delta Machinery strictly enforces the policy of repairing or replacing any damaged or missing standard safety equipment on machines presented to Delta Authorized Service Centers for service/repairs. Any product that is presented to a Delta Authorized Service Centers for repairs which contains missing or damaged standard safety equipment will have that equipment repaired or replaced and the customer will be charged for any such service/repairs. Customers can avoid such charges only if the missing safety component is supplied to the service center at the time of repair.

*This parts list is provided to aid in obtaining service parts. Copies of the instruction and maintenance literature can be obtained through the Delta Technical Publications Department or through your service outlet.*